

PCM330 High Range Pressure Transmitter



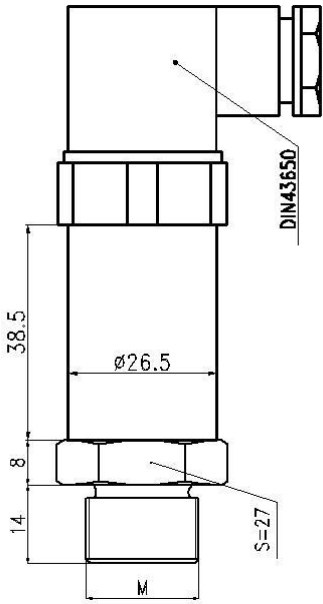
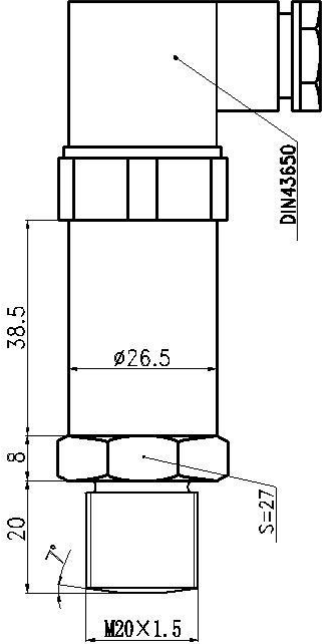
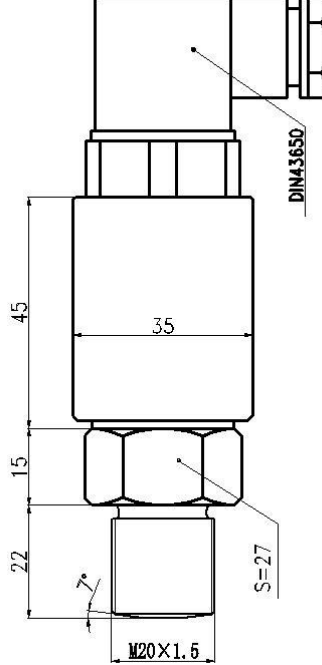
Features

- Measuring diaphragm and pressure interface one-piece structure
- Thread interface USES 7 degrees of taper sealing surface
- Resistance to vibration, the instantaneous pressure impact resistance
- Can measure pressure up to 600MPa
- With German import plugs, IP65 standard seal

PCM330 high range pressure transmitter chooses high precision foil strain gauge as sensing element, has a unique integrated elastic structure, good stability and reliability. Signal processing circuit is located in the stainless steel casing, which has the circuit through strict aging process processing, at the same time also has a good linear compensation function. This product is mainly used for high pressure, super high pressure and impact pressure greatly.

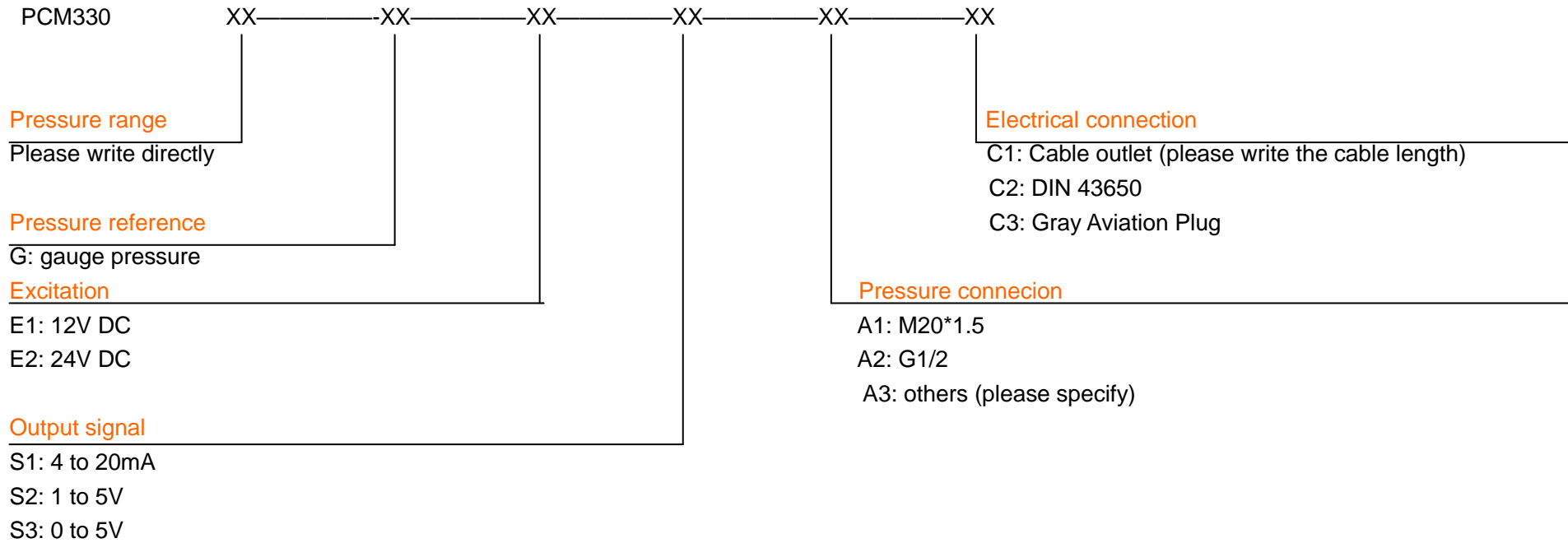
Pressure range	
Pressure range	0~40...600MPa
Pressure reference	Gauge pressure
Overpressure	125%FS
Burst pressure	150%FS
Output signal	
Output	4 to 20mA 0 to 10V 1 to 5V 0 to 5V 4 to 20mA +HART
Specification	
Accuracy (linearity, repeatability and hysteresis)	±0.5%FS ±0.25%FS ±0.1%FS
Excitation	9~30VDC
Compensated temp.	0~70°C -20~85°C
Operating temp.	-40~85°C -40~120°C
Insulation resistance	≥500MΩ
Zero temp. coefficient	±0.2%FS/10°C
Span temp. coefficient	±0.2%FS/10°C
Load resistance for current loop	≥[(Vs-6.5V)/0.02A]Ω
Mechanical interface	M20x1.5; G1/4"; special thread can be customized
Electrical interface	DIN DIN with digital display Aviation Plug Spring Direct Polyurethane sheath 2088 etc. optional
Life time	≥5million times cycles
Long-term stability	≤±0.15%FS/Year

Electrical connection (DIN 43650)

40MPa ≤ R < 100MPa	100MPa ≤ R ≤ 350MPa	400MPa ≤ R ≤ 600MPa
		
Threaded port is equipped with a buffer	7 degrees taper sealing	7 degrees taper sealing

Electrical connection

Cable outlet		Aviation Plug DIN43650		Gray Aviation Plug		
Current (2 wire)	Voltage (3 wire)	Current (2 wire)	Voltage (3 wire)	Current (2 wire)	Voltage (3 wire)	Voltage (3 wire)
Red: Power+ Black: Signal+	Red: Power+ Black: Ground Green: Signal+	Red (1): Power+ Black (2): Signal+	Red (1): Power+ Black (2): Ground Green (3): Signal+	Black (1): Signal+ Red (4): Power+	Black (1): Signal+ Green (3): Ground Red (4): Power+	Black (1): Signal+ White(2): -12V Green (3): Ground Red (4): +12V



Wotian reserves the right to make changes to any product in this publication without notice. The information we supply is believed to be accurate and reliable as of this printing.



Contact us

Nanjing Wotian Technology Co., Ltd.

Add: 5 Wenying Road, Binjiang Development Zone, Nanjing, 211161, China

Sales Manager: Wuzhou Lian

MP: 0086-13998828452

Email: lianwuzhou@wtsensorus.com