

PCT400 Temperature Transmitter

Features

- Anti-vibration
- High strength, high pressure resistance
- Integrated structure
- Can ensure long-term stable work
- Fast response
- Easy to install, can ensure long-term stable work

Applications and industries

- Equipment matching
- Pump and compressor, natural gas pipe network and other automatic temperature measurement and control system
- Temperature measurement for the water or oil in the fields such as petroleum, chemical industry, electricity, light textile, environmental protection etc.

Notes:

- 1 During the temperature measurement, the temperature measurement component should reach thermal equilibrium with the object under test.
- 2 The insertion depth should be accurate.
- 3 Please read the Instruction Manual of the product carefully before installation and check the relevant information of the product.
- 4 Strictly follow the wiring method for wiring, otherwise it may cause product damage or other potential faults.
- 5 Misuse of the product may cause danger or personal injury.



Product overview

PCT400 Industrial Temperature Transmitter measures the temperature of the measured medium by using the feature that the platinum resistance value varies with temperature and shows a certain functional relationship. The transmitter adopts the high-precision thermoelectric couple and thermal resistance as the detecting elements, uses the high stability circuit for the signal processing, realizes the continuous measurement for the temperature, outputs the industrial control standard signal, and can realize the functions such as display, remote transmission etc. at the same time.

The temperature measurement part of the product adopts all stainless steel integration processing technology, and the connecting box adopts 2088 aluminum housing; the product has the features of strong shock resistance, quick thermal response etc.; the wire adopts the special shielded cable, with wide usage temperature range; this product is easy to install, and applicable to be used in all kinds of automatic control systems for temperature measurement.

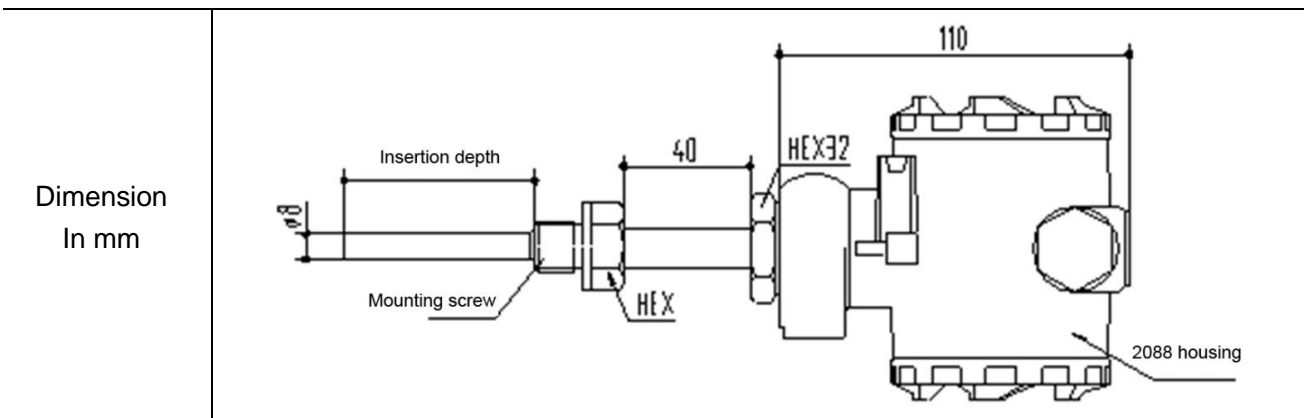
Notes:

- 1 Do not misuse documentation.
- 2 The information presented in this product sheet is for reference only. Do not use this document as a product installation guide.
- 3 Complete installation, operation, and maintenance information is provided in the instructions of the product.
- 4 Misuse of the product may cause danger or personal injury.

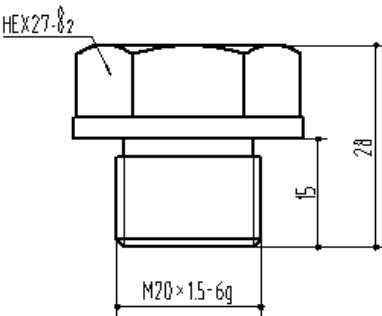
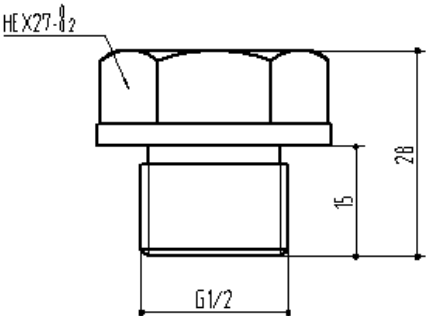
Performance parameters

| | |
|-------------------------|---------------------------------------|
| Pressure range | -50°C ~ 250°C |
| Supply & output | 4 ~ 20mA (16 ~ 36VDC) |
| | 4 ~ 20mA + HART protocol (16 ~ 36VDC) |
| Accuracy | ±0.5%FS(typ.) |
| Sensitive element | Pt100 Grade A |
| Insulation strength | 100MΩ/250VDC |
| Response time | ≤30s |
| Long-term stability | ≤0.2%FS/year |
| Placement diameter | Φ8mm |
| Storage temp. | -40°C ~ 85°C |
| Electrical connection | 2088 |
| Protection grade | IP65 |
| Material | 304 |
| Maximum mounting torque | 25Nm |

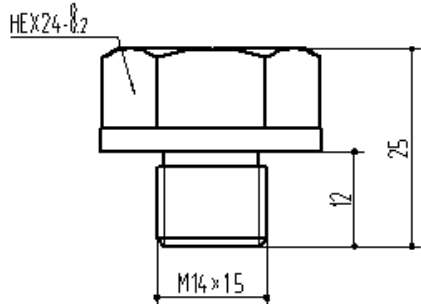
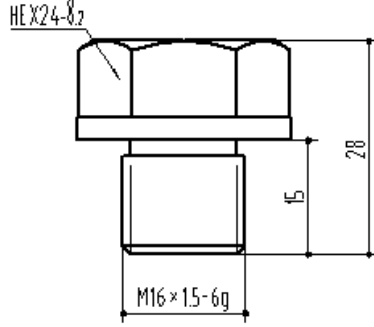
Appearance structure



Pressure connection

| Thread code | C1: M20×1.5-6g | C2: G1/2 |
|--------------------|---|--|
| Dimension In mm |  |  |
| Recommended torque | 15 ~ 25Nm | 15 ~ 25Nm |

Pressure connection (cont.)


| Thread code | C3: G1/4 | C22: M16×1.5 |
|--------------------|---|--|
| Dimension In mm |  |  |
| Recommended torque | 15~25Nm | 15~25Nm |

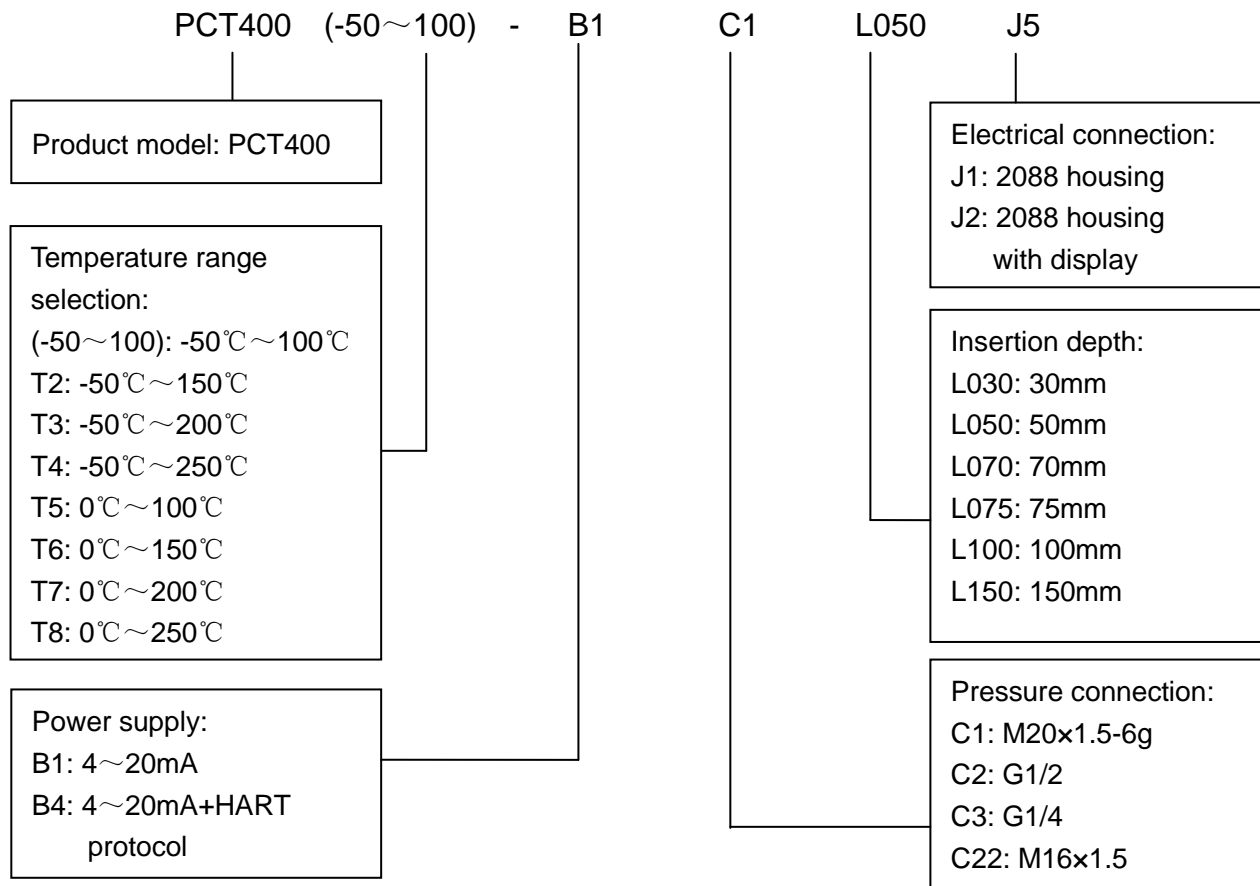
Note: The torque depends on all kinds of factors, such as gasket material, kitting material, thread lubrication and pressure.

Pressure range selection

| Pressure range code | Pressure range | Remark |
|---------------------|----------------|--------|
| T1 | -50°C~100°C | |
| T2 | -50°C~150°C | |
| T3 | -50°C~200°C | |
| T4 | -50°C~250°C | |
| T5 | 0°C~100°C | |
| T6 | 0°C~150°C | |
| T7 | 0°C~200°C | |
| T8 | 0°C~250°C | |

Accessory

| Name | Appearance | Description | Material No. |
|-------|---|-----------------|--------------|
| Cable |  | RVVP 3x0.2 grey | 100050000000 |



Example: PCT400 (-50~150) -B1C1L050J2

Refer to product model PCT400, temperature range -50°C~150°C, power supply 16~36VDC, output signal 4~20mA, pressure connection M20×1.5-6g, insertion depth 50mm, electrical connection 2088 housing with display.

Ordering tips

- (1) Please ensure the compatibility between the measured medium and the contacting part of the product when placing an order.
- (2) If there are special requirements for the product appearance or performance parameter, our company can provide customization.

Wotian reserves the right to make any change in this publication without notice. The information provided is believed to be accurate and reliable as of this product sheet.

Contact us

Nanjing Wotian Technology Co., Ltd.

Add: 5 Wenying Road, Binjiang Development Zone, Nanjing, 211161, China

Sales Manager: Wuzhou Lian

MP: 0086-13998828452

Email: lianwuzhou@wtsensorus.com