

PCT004 Universal Bimetal Temperature Sensor



Features

- Temperature measurement range
- Easy installation
- High temperature measurement accuracy
- Long-term stability
- Long life cycle

Applications

- Electric power, aerospace industry
- Temperature measurement in textile, food and other fields
- Atomic energy, petroleum, chemical

Notes:

- 1 Do not touch the diaphragm with hard objects, which may cause damage to the diaphragm.
- 2 Please read the Instruction Manual of the product carefully before installation and check the relevant information of the product.
- 3 Strictly follow the wiring method for wiring, otherwise it may cause product damage or other potential faults.
- 4 Misuse of the product may cause danger or personal injury.

Product overview

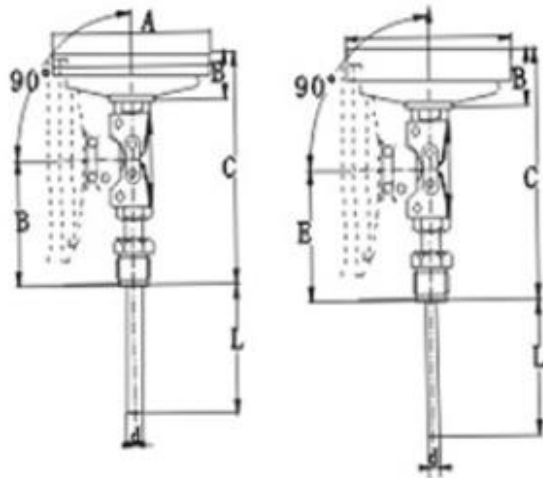
The bimetal temperature sensor integrates bimetal thermometer and thermal resistance (couple) to meet the requirements of on-site temperature measurement and long-distance transmission. It can directly measure liquid, steam and gas media in the range of -80 ~ 500 degrees Celsius during various production processes and the temperature on solid surfaces.

Notes:

- 1 Please read the product instruction manual carefully before installation and check the relevant information of the product.
- 2 Wire strictly according to the wiring method, otherwise it will cause product damage and other potential failures.
- 3 Incorrect use can cause danger and personal injury.

Model	Measurement Ranges: °C	ranges	Protection tube material		Insertion depth L
Bimetal temperature sensor	-80—40	1.0	1Cr-18N19Ti		150
	-40~60	1.5	304		200
	0~50		316		300
	0~150		316L		400
	0~200		哈氏 C-276		500
	0~400		F46		750
	0~500				1000
	0~650				2000
form	D	A	B		d
Universal type Bimetallic thermometer	105	23	178	120	Φ10
	155	23	178	120	Φ12
					Φ14
	105	40	135		

Product parameters	
Thermal response time:	≤40s
Accuracy class	0.5, 1.0, 1.5FS
Thermocouple	-80 ~ 650 °C
	Class I, 1.5 °C, Class II, 2.5 °C
Thermal resistance	Class A ± (0.15 + 0.0051t1)
	Class B ± (0.30 + 0.0051t1)
Protection class	IP65
diameter	60, 65, 100, 150



How to order

PCT004 - 2 - 1 - A- 650*500 - B

Product model:
PCT004

Installing fixtures
1, no fixed device,
2, fixed thread
3, movable flange
4, fixed flange
5, tapered fixed
.. ..

Protection tube outer diameter:
0: Platinum resistance is Φ 16mm,
Copper resistance is Φ 12mm,
1: Platinum resistance is Φ 12mm

Protection tube material:
B: 1Cr18Ni9Ti, F, H62
(not suitable for platinum resistance)
G: 0Cr18Ni12Mo2Ti,
carbon steel 20

Total length * insertion depth

Accuracy level:
A :Grade A
B, Grade B



Example: PCT004-2-1-A -650 * 500--B

The model number is PCT004, the mounting fixture is fixed thread, , the outer diameter of the protective tube is platinum resistance, the accuracy level is A, and the material of the protective tube is 1Cr18Ni9Ti, F, H62

Wotian reserves the right to make any change in this publication without notice. The information provided is believed to be accurate and reliable as of this product sheet.

Contact us

Nanjing Wotian Technology Co.,Ltd.

Add: 5 Wenying Road, Binjiang Development Zone, Nanjing, 211161, China

Sales Manager: Wuzhou Lian

MP: 0086-13998828452

Email: lianwuzhou@wtsensorus.com