

# PCT220 Armored Temperature Transmitter

## Features

- Easy to install
- High strength, high pressure resistance
- Integrated structure
- Can ensure long-term stable work

## Applications and industries

- Petroleum machinery
- Chemical machinery
- Temperature measurement for the water or oil in the fields such as electricity, boiler, natural gas, environmental protection etc.

### Notes:

- 1 During the measurement, the probe should be in the thermal equilibrium with the measured medium.
- 2 The insertion depth should be reasonable.
- 3 Please read the Instruction Manual of the product carefully before installation and check the relevant information of the product.
- 4 Strictly follow the wiring method for wiring, otherwise it may cause product damage or other potential faults.
- 5 Misuse of the product may cause danger or personal injury.



## Product overview

PCT220 Armored Temperature Transmitter measures the temperature of the measured medium by using the feature that the platinum resistance value varies with temperature and shows a certain functional relationship, and has adopted the high performance and highly reliable imported platinum resistance; it adopts high performance temperature modularized signal treatment process technology, to measure and calibrate the medium temperature, and output the industrial control standard signal. The product is easy to install and has extremely high vibration and shock resistance.

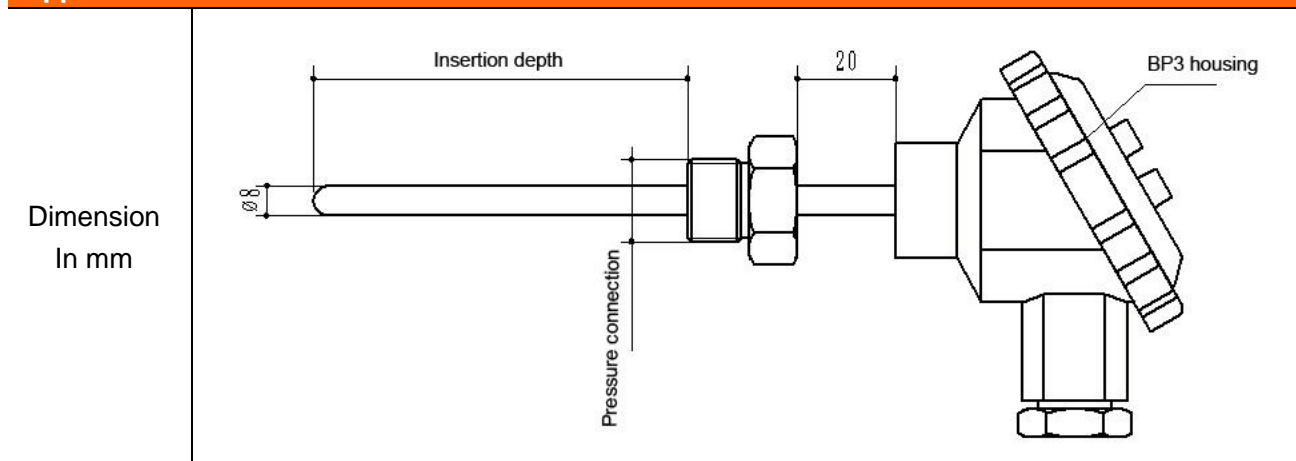
### Notes:

- 1 Do not misuse documentation.
- 2 The information presented in this product sheet is for reference only. Do not use this document as a product installation guide.
- 3 Complete installation, operation, and maintenance information is provided in the instructions of the product.
- 4 Misuse of the product may cause danger or personal injury.

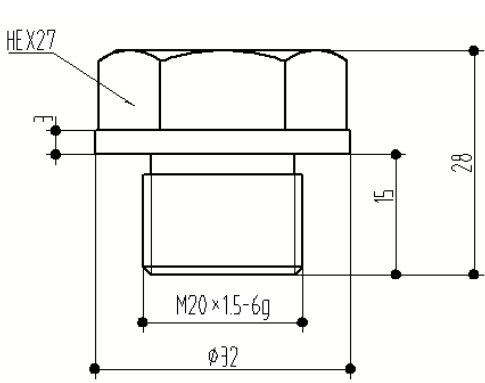
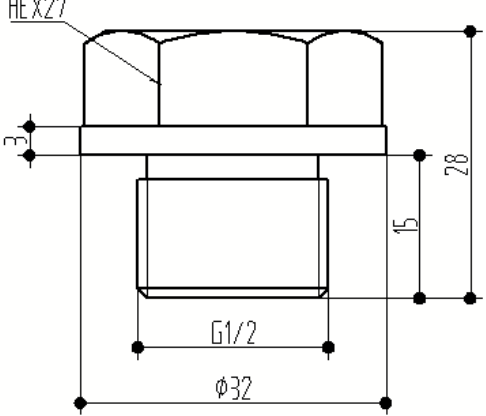
### Performance parameters

Pressure range	-50°C ~ 250°C (Maximum)
Accuracy	±0.5%FS
Output	4 ~ 20mA (16 ~ 36VDC)
Insulation resistance	200MΩ/250VDC
Response time	≤30s
Long-term stability	≤0.2%FS/year
Probe diameter	Φ8mm
Storage temp.	-40°C ~ 85°C
Electrical connection	BP3 housing
Protection grade	IP65
Material	304
Maximum mounting torque	25Nm

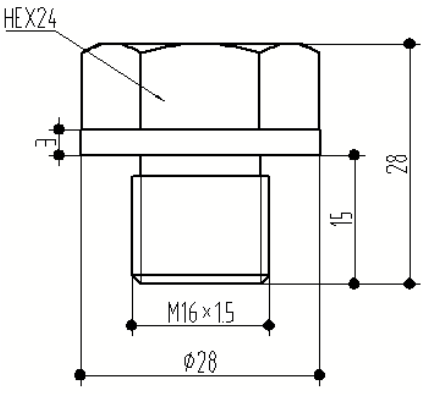
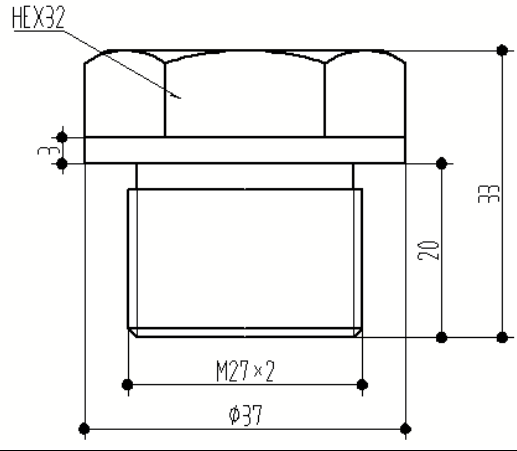
### Appearance structure



### Pressure connection

Thread code	C1: M20×1.5-6g	C2: G1/2
Dimension In mm		
Recommended torque	15 ~ 25Nm	15 ~ 25Nm

### Pressure connection (cont.)

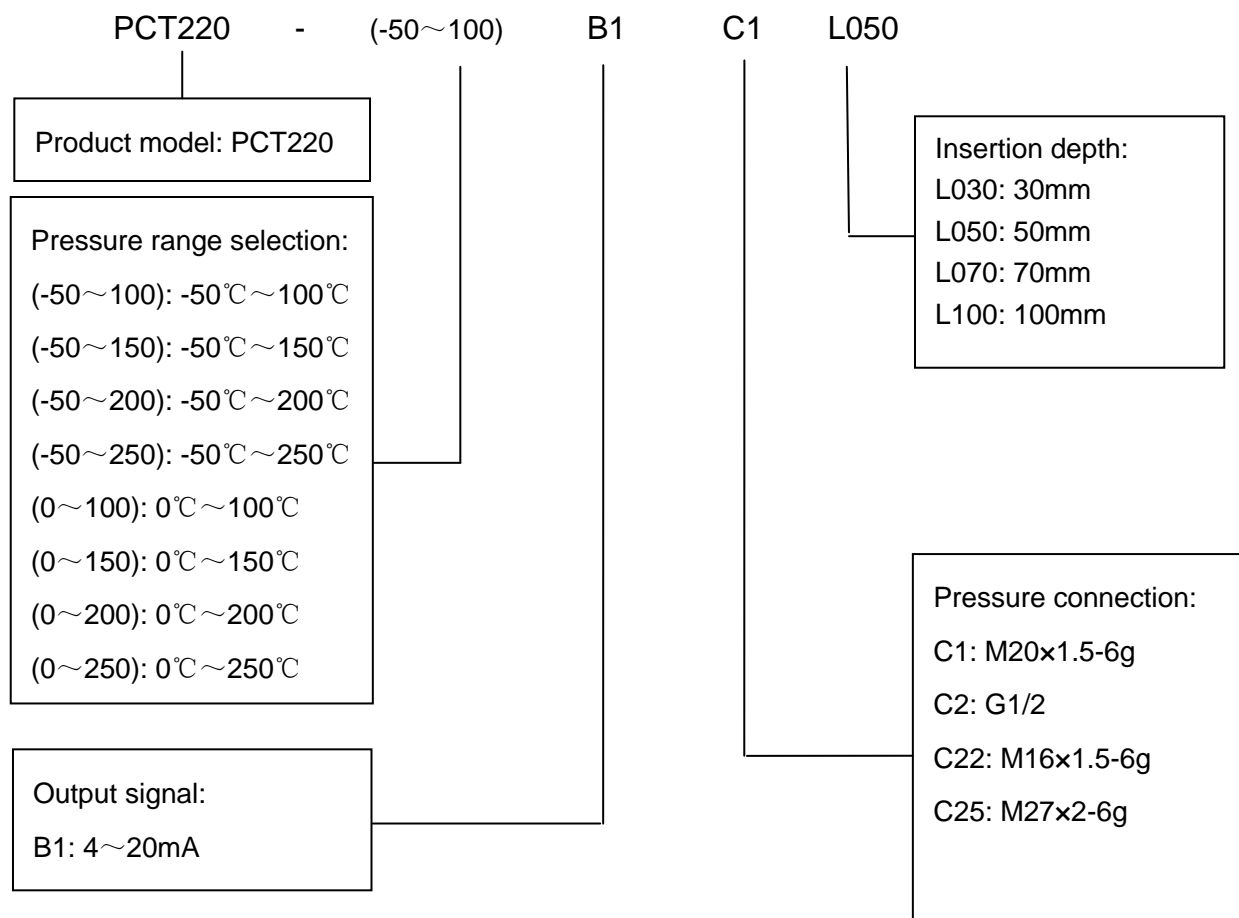
Thread code	C22: M16×1.5-6g	C25: M27×2-6g
Dimension In mm		
Recommended torque	15~25Nm	15~25Nm

Note: The torque depends on all kinds of factors, such as gasket material, kitting material, thread lubrication and pressure.

### Pressure range selection

Pressure range code	Pressure range	NOTES
(-50~100)	-50~100℃	
(-50~150)	-50~150℃	
(-50~200)	-50~200℃	
(-50~250)	-50~250℃	
(0~100)	0~100℃	
(0~150)	0~150℃	
(0~200)	0~200℃	
(0~250)	0~250℃	

## How to order



Example: PCT220-(-50~100)B1C1L050

Refer to product model PCT220, temperature range -50℃~100℃, output 4~20mA, pressure connection M20×1.5-6g, insertion depth 50mm.

### Ordering tips

- (1) Please ensure the compatibility between the measured medium and the contacting part of the product when placing an order.
- (2) If there are special requirements for the product appearance or performance parameter, our company can provide customization.

Wotian reserves the right to make any change in this publication without notice. The information provided is believed to be accurate and reliable as of this product sheet.

### Contact us

Nanjing Wotian Technology Co., Ltd.

Add: 5 Wenying Road, Binjiang Development Zone, Nanjing, 211161, China

Sales Manager: Wuzhou Lian

MP: 0086-13998828452

Email: [lianwuzhou@wtsensorus.com](mailto:lianwuzhou@wtsensorus.com)