

PC-GSXR002-Seal connector



Features

- Good sealing performance
- Corrosion resistance
- With the high level of waterproofing grade

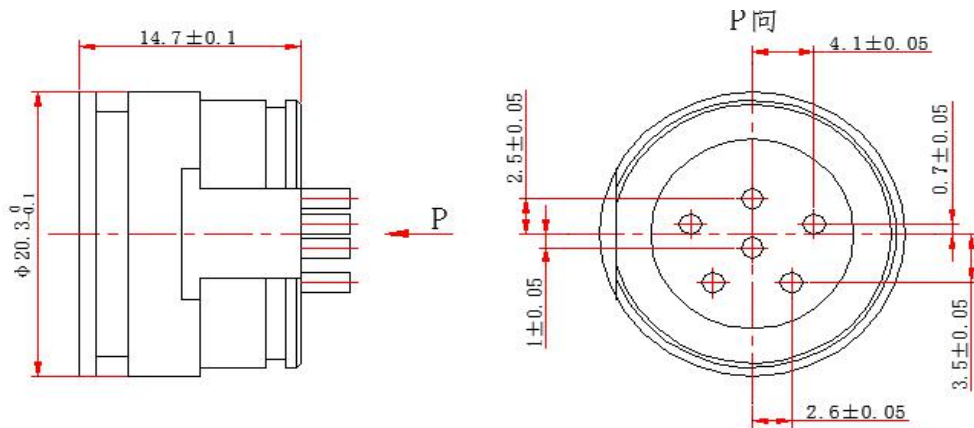
Applications

- Connection for currents and signals
- For variation of medical device

Specification

Material	304,
Insulation resistance	500V \geq 1000M Ω
Seal	1×10^{-10} Pa.m ³ /s
Operating temperature	-55°C-300°C
Withstand pressure	5 MPa
Pin plating	gold (available)

Drawing



Contact us

Nanjing Wotian Technology Co.,Ltd.

Website: www.wtsensor.com

Add: 5 Wenying Road, Binjiang Development Zone, Nanjing, 211161, China

Sales Manager: Wuzhou Lian

Email: lianwuzhou@wtsensorus.com