

# PCT400 Industrial Temperature Transmitter

## Features

- Anti-vibration
- Applicable for harsh environment
- Integrated structure
- Can ensure long-term stable work
- Fast response
- Easy to install

## Applications and industries

- Equipment matching
- Pump and compressor, natural gas pipe network and other automatic temperature measurement of control system
- Temperature measurement for water or oil in the fields of petroleum, chemical industry, electricity, light textile, environmental protection etc.



## Product overview

PCT400 Industrial Temperature Transmitter measures the temperature of measured medium by using the feature that the platinum resistance value varies with temperature and shows a certain functional relationship. The transmitter adopts the high-precision thermocouple and thermal resistance as measurement elements, uses high stability circuit for signal processing, realizes continuous measurement of temperature, outputs industrial control standard signal, and can have functions of display, remote transmission etc.

The temperature measurement part of the product adopts all stainless steel integration processing technology, and the connecting box adopts 2088 aluminum housing. The product has the features of strong shock resistance, quick thermal response etc. The wire adopts special shielded cable, with wide usage temperature range. It is easy to install, and applicable to all kinds of automatic control systems for temperature measurement.

### Notes:

- 1 During temperature measurement, the temperature measurement component should reach thermal equilibrium with the object under measurement.
- 2 The insertion depth should be accurate.
- 3 Please read the Instruction Manual of the product carefully before installation and check the relevant information of the product.
- 4 Strictly follow the wiring method for wiring, otherwise it may cause product damage or other potential faults.

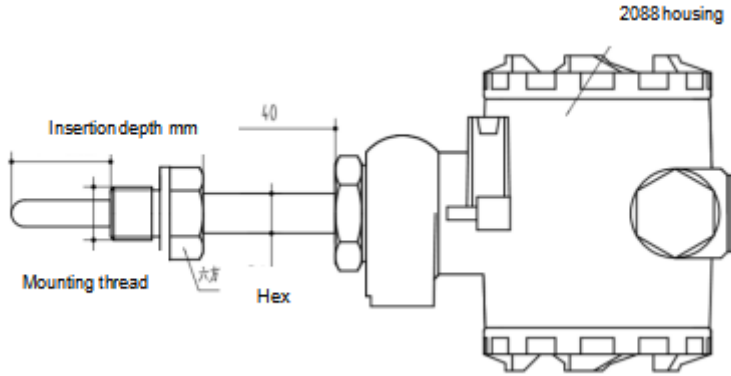
### Notes:

- 1 Do not misuse documentation.
- 2 The information presented in this product sheet is for reference only. Do not use this document as a product installation guide.
- 3 Complete installation, operation, and maintenance information is provided in the instructions of the product.
- 4 Misuse of the product may cause danger or personal injury.

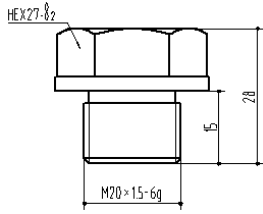
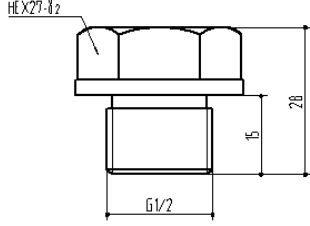
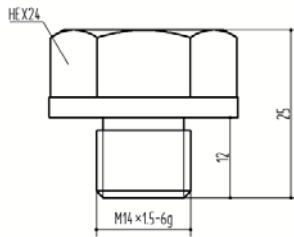
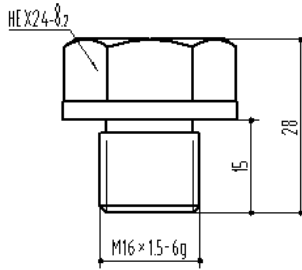
### Performance parameters

Temperature range	-50°C ~ 250°C
Supply & output	4~20mA(16~36VDC)   4~20mA+HART protocol (16~36VDC)
Accuracy	±0.5%FS
Sensitive element	Pt100 Grade A
Insulation strength	100MΩ/250VDC
Response time	≤30s
Long-term stability	≤0.2%FS/Year
Insertion diameter	Φ8mm
Storage temp.	-40°C ~ 85°C
Electrical connection	2088 housing
Protection	IP65
Rod material	304
Max mounting torque	25Nm

### Appearance & structure

<p>Dimension Unit: mm</p>	
-------------------------------	---


### Threaded connection

Thread code	C1:M20×1.5-6g	C2:G1/2
Dimension Unit: mm		
Recommended torque	15~25Nm	15~25Nm
Thread code	C4:M14×1.5-6g	C22:M16×1.5-6g
Dimension Unit: mm		
Recommended torque	15~25Nm	15~25Nm

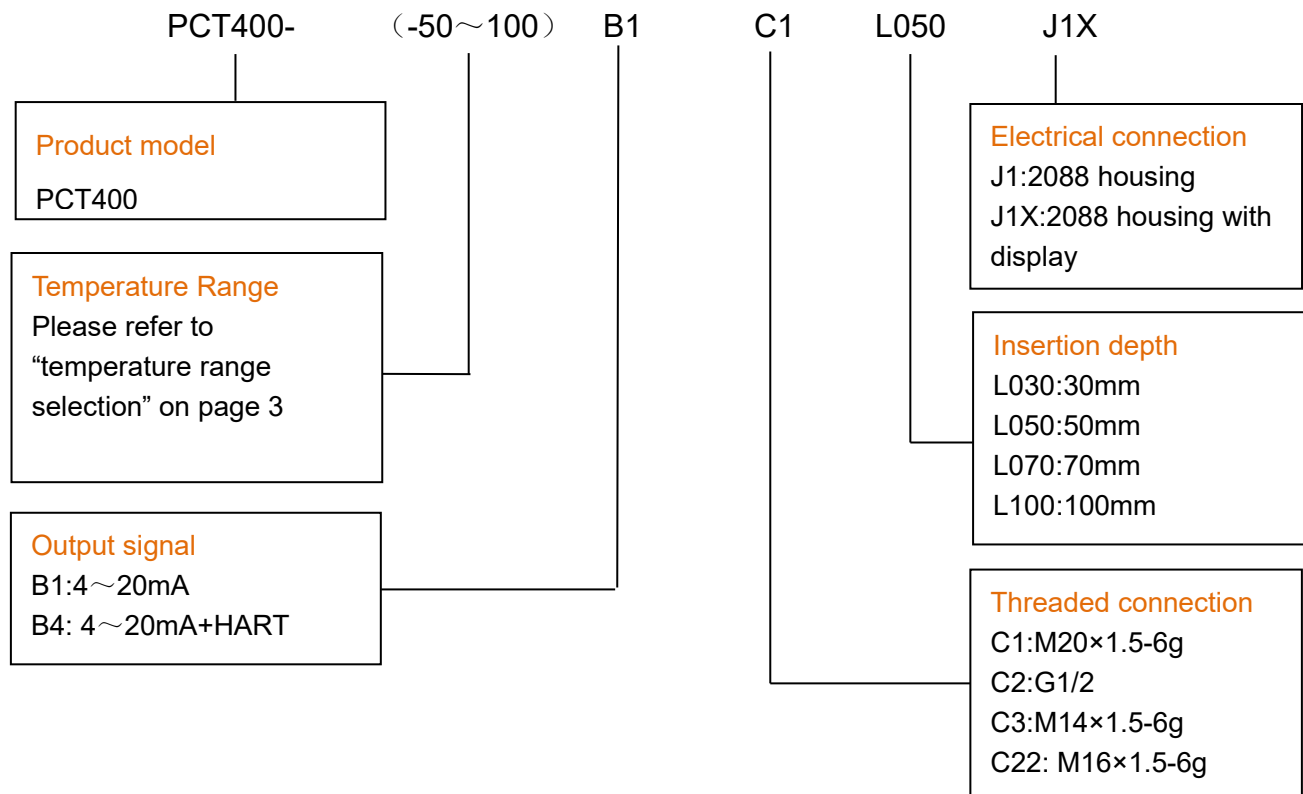
Note: Torque depends on all kinds of factors, such as gasket material, kitting material, thread lubrication and pressure.

Temperature range selection		
Temperature range code	Temperature range	Remark
(-50~100)	-50℃~100℃	
(-50~150)	-50℃~150℃	
(-50~200)	-50℃~200℃	
(-50~250)	-50℃~250℃	
(0~100)	0℃~100℃	
(0~150)	0℃~150℃	
(0~200)	0℃~200℃	
(0~250)	0℃~250℃	

### Accessory

Name	Appearance	Description	Material No.
Cable		RVVP 3×0.2 Grey	100050000000

### How to order





Example: PCT400-(-50~100) B1C1L050J1X

The product model is PCT400, (-50~100): temperature range -50°C ~ 100°C, B1: output signal 4~20mA, C1: threaded connection M20×1.5-6g, L050: insertion depth 50mm, J1X: electrical connection 2088 housing with display.

## Ordering tips

1. Please ensure compatibility between measured medium and the contacting part of product when placing an order.
2. For special requirements for product appearance or performance parameters, our company can provide customization.

Wotian reserves the right to make any change in this publication without notice. The information provided is believed to be accurate and reliable as of this product sheet.

## Contact us

Nanjing Wotian Technology Co.,Ltd.

Website: [www.wtsensor.com](http://www.wtsensor.com)

Add: 5 Wenyong Road, Binjiang Development Zone, Nanjing, 211161, China

E-mail: [dr@wtsensor.com](mailto:dr@wtsensor.com)