

# PCMPT01&PCMPT02&PCMPT03 Series

## Economical Melt Pressure Transmitter

### Features

- Signal output:4~20mA,0~10V,0~5V
- Accuracy grade:±1.0%F.S
- Special diaphragm coating
- IP65 ingress protection
- 80% internal calibration

### Applications

- Injection molding industry
- Chemical fiber industry



### Product overview

PCMPT01&PCMPT02&PCMPT03 series economical melt pressure transmitter series is specially designed for pressure measurement at high temperature in the injection molding industry, special diaphragm and highly anti-abrasive coating of which enable it to work normally at high temperature up to 320°C.This series is installed in the manner of standard threaded connection and has many advantages like high stability and long service life.

#### Notes:

- 1 Do not touch the diaphragm with hard objects, which may cause damage to the diaphragm.
- 2 Please read the Instruction Manual of the product carefully before installation and check the relevant information of the product.
- 3 Strictly follow the wiring method for wiring, otherwise it may cause product damage or other potential faults.
- 4 Misuse of the product may cause danger or personal injury.

#### Notes:

- 1 Do not misuse documentation.
- 2 The information presented in this product sheet is for reference only. Do not use this document as a product installation guide.
- 3 Complete installation, operation, and maintenance information is provided in the instructions of the product.
- 4 Misuse of the product may cause danger or personal injury.

### Performance parameters

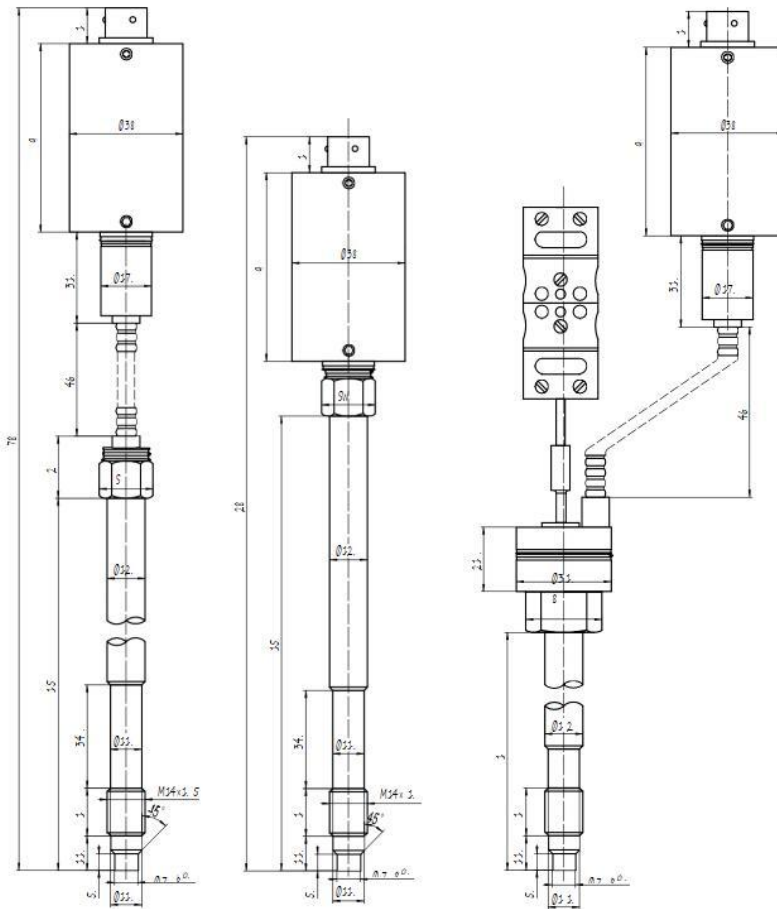
|                   |                                    |
|-------------------|------------------------------------|
| Input Voltage     | 24VDC(12~36VDC)                    |
| Output            | 4~20mA,0~10V,0~5V                  |
| Accuracy Grade    | ±1.0%F.S                           |
| Pressure Range    | Refer to below pressure range form |
| Pressure Unit     | MPa (default), psi, bar            |
| Overload Capacity | 1.5 times rated pressure           |
| Zero Temp Drift   | 0.005MPa/°C                        |

|                               |                                   |
|-------------------------------|-----------------------------------|
| Electrical Environmental Temp | -20~85℃                           |
| Bridge Resistance             | 350Ω                              |
| Diaphragm Materia             | 15-5PH                            |
| Diaphragm Temp                | 320℃                              |
| E-Connection                  | 5-pin standard aviation connector |
| Mounting Torque               | 40N.m Max                         |
| Process Connection            | M14×1.5                           |
| Protection Level              | IP65                              |
| Temperature Measurement type  | E, J, K type or Pt100             |

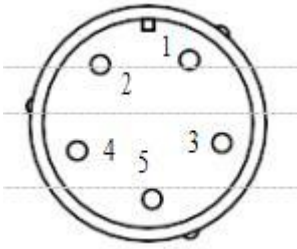
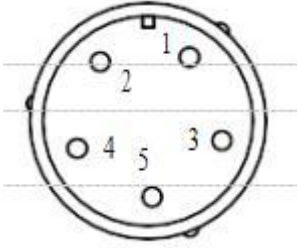
### Pressure range selection

| Pressure range code | Pressure Range          |
|---------------------|-------------------------|
| 1.5M                | 10MPa、1500psi、100bar    |
| 3M                  | 20MPa、3000psi、200bar    |
| 5M                  | 35MPa、5000psi、350bar    |
| 7.5M                | 50MPa、7500psi、500bar    |
| 10M                 | 70MPa、10000psi、700bar   |
| 15M                 | 100MPa、15000psi、1000bar |

### Dimension

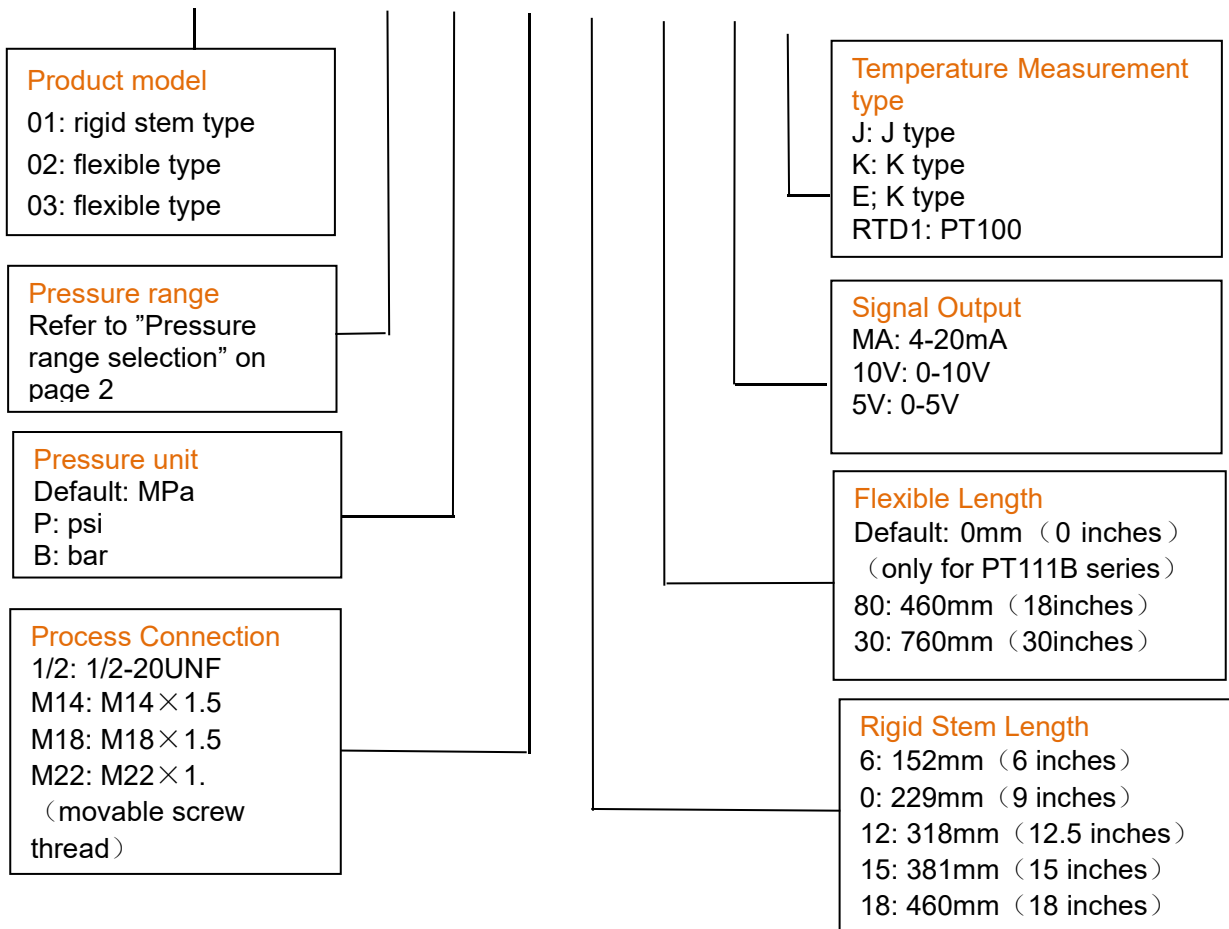


## E- Connection

| 5-Pin Connector   | Voltage Output Signal(0-5V, 0-10V) |     |       |        |       |
|---|------------------------------------|-----|-------|--------|-------|
|  | 1                                  | 2   | 3     | 4      | 5     |
|   | S+                                 | E+  | S-    | E-     | CAL   |
|   | Blue                               | Red | White | Yellow | Black |
| 5-Pin Connector   | Current Output Signal(4-20mA)      |     |       |        |       |
|  | 1                                  | 2   | 3     | 4      | 5     |
|   | E-                                 | E+  |       | CAL    | CAL   |
|   | Blue                               | Red |       | Yellow | Black |

## How to order

PCMPT03    -5M -B-    M14- 6    -80- MA    -J





**Example: PCMPT03-5M-B-M14-6-80-MA-J**

The product model is PCMPT03.5M is the pressure range code(detailed pressure range please refer to the pressure range selection on page 2, B is pressure unit bar, M14 is pressure connection M14×1.5, 6 is rigid stem length 152mm (6 inches), 80 is flexible length 460mm(18 inches), MA is signal output 4-20mA, J is Temperature Measurement J type

**Ordering tips:**

Ensure compatibility between measured media and contacting part of product when placing an order.

Wotian reserves the right to make any change in this publication without notice. The information provided is believed to be accurate and reliable as of this product sheet.

**Контакт:**

Nanjing Wotian Technology Co., Ltd.

Веб-сайт: [ru.wtsensor.com](http://ru.wtsensor.com)

Адрес: 5 Wenyang Road, Binjiang Development Zone, Nanjing, 211161, China

Электронная почта: [wtsensor@wtsensor.com](mailto:wtsensor@wtsensor.com)

Телефон: +86-18640205486

Менеджер по продажам: Эмма