

# PCMPT04 Series Melt Pressure Transducer

## Features

- Stainless steel welding
- Easy to install
- Zero and span adjustable
- Various amplified signals optional
- Internal 80% shunt calibration
- Good stability and anti-jamming capability
- Excellent stability and repeatability
- can measure the pressure and temperature in one point

## Applications

- Chemical fiber equipment
- Plastic and rubber manufacturing equipment
- Medicine & food process equipment
- Measurement and control all kinds of melt fluid

### Notes:

- 1 Do not touch the diaphragm with hard objects, which may cause damage to the diaphragm.
- 2 Please read the Instruction Manual of the product carefully before installation and check the relevant information of the product.
- 3 Strictly follow the wiring method for wiring, otherwise it may cause product damage or other potential faults.
- 4 Misuse of the product may cause danger or personal injury.



## Product overview

PCMPT04 Series Melt Pressure Transducer can measure the pressure and temperature in one point with thermocouple. This model adopts special construction and excellent alloy elastic membrane to reduce the thermal draft, improve the accuracy, good anti-jamming performance and built in 80% shunt calibration, it can match our N series pressure instrument, and also can match the pressure instrument or controller of other brand. It is suitable for pressure measuring and controlling in melt fluid medium, such as the plastic & polymer in the process equipment.

### Notes:

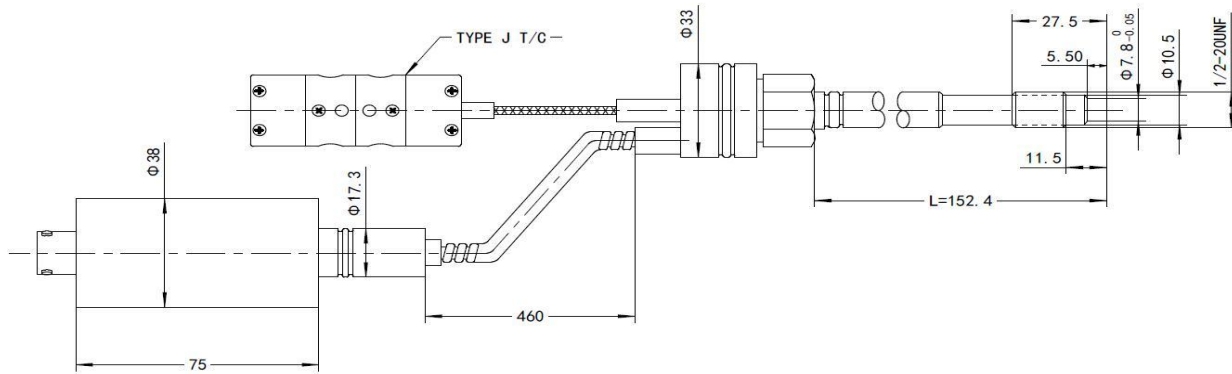
- 1 Do not misuse documentation.
- 2 The information presented in this product sheet is for reference only. Do not use this document as a product installation guide.
- 3 Complete installation, operation, and maintenance information is provided in the instructions of the product.
- 4 Misuse of the product may cause danger or personal injury.

## Performance parameters

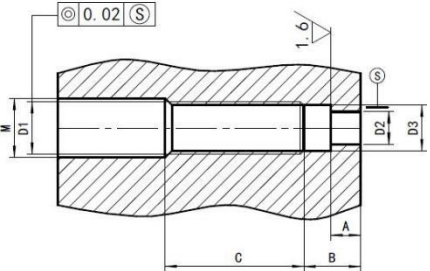
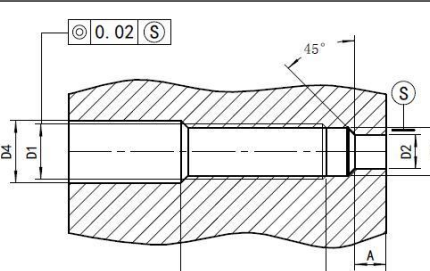
Pressure range	0...3.5 MPa to 0...150MPa
Output	2mV/V; 3.33mV/V; 4~20mA
Input voltage	10(6~12V) DC
Accuracy	±1.0%FS ; ±1.5%FS (including linearity, Repeatability & Hysteresis)
Repeatability	±0.2% FSO
Construction	Wheatstone bridge

Bridge resistance	Input: 345 Ohms Minimum; Output: 350 Ohms $\pm$ 10%
Overload pressure	150%FS( $\leq$ 60MPa), 120%FS(60~100 MPa)
Overload pressure	1.5 $\times$ FSO
Internal shunt calibration	80% $\pm$ 1%
Insulation Resistance	200Megohms @100Vdc
Standard wetted Parts	Diaphragm coated 15-5PH SST
Mounting Torque	500inch/lbs, maximum
Max. Diaphragm Temp	0~400 $^{\circ}$ C
Electronic operating temperature	-25 $^{\circ}$ C -85 $^{\circ}$ C
Electric connector	5PIN ,6 PIN
Rigid Length	6" , 9" (Customer design)
Flexible Length	18" , 30" (Customer design)
Temperature measurement type	J,K,E,PT100 Optional
Pressure connection	1/2" -20UNF, M14 $\times$ 1.5, M18 $\times$ 1.5 etc.

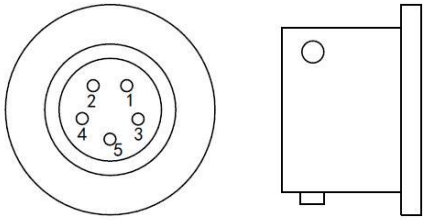
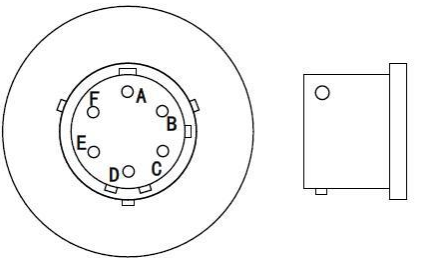
### Dimension (mm)



### Mounting Hole

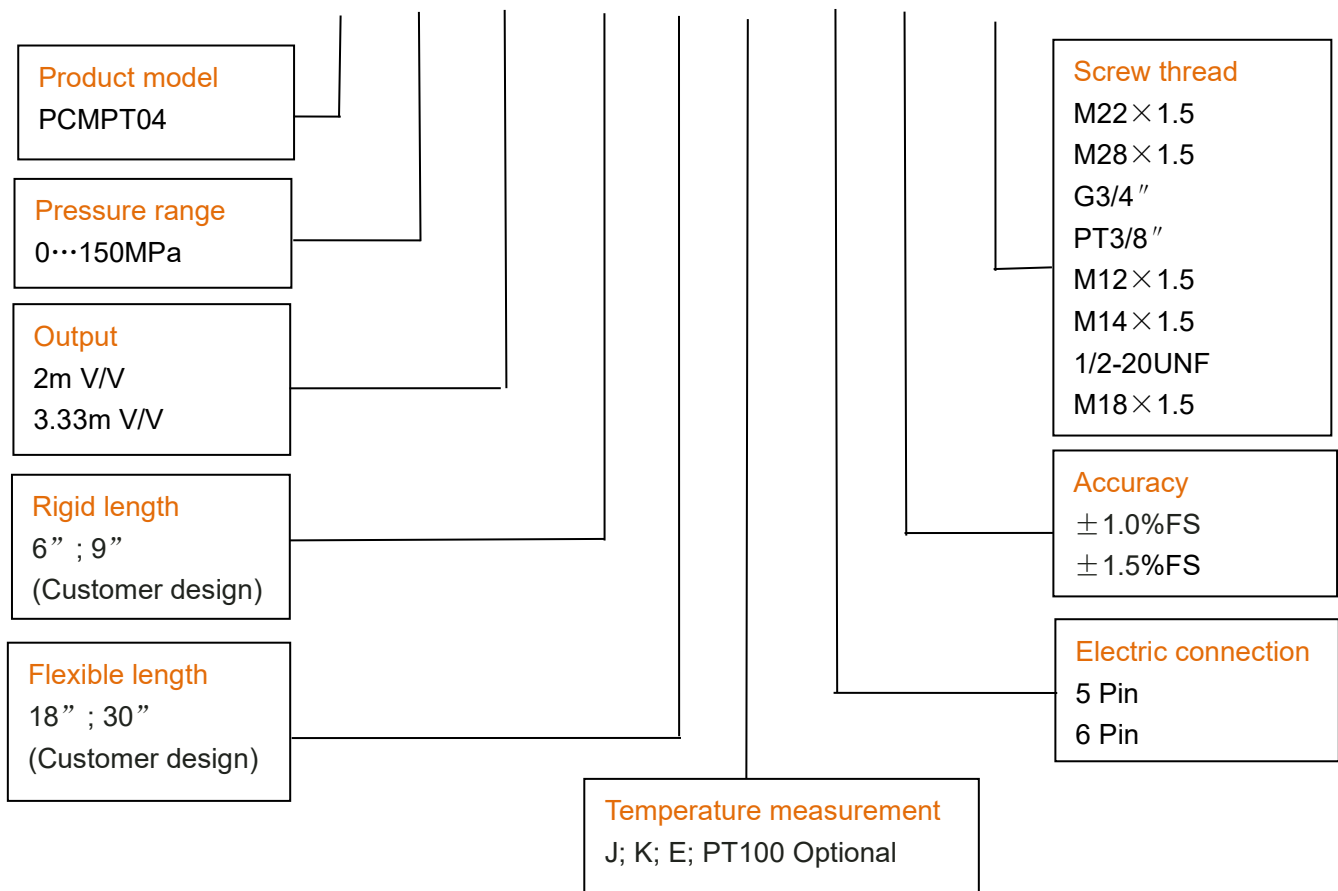
 <p>Planar Sealed</p>	D1	M22 $\times$ 1.5	M28 $\times$ 1.5	G3/4"	PT3/8"
	D2	$\Phi$ 16.1	$\Phi$ 18.3	$\Phi$ 18.3	$\Phi$ 10.3
	D3	$\Phi$ 20.1	$\Phi$ 26.1	$\Phi$ 24.2	$\Phi$ 14.9
	M	$\Phi$ 23	$\Phi$ 30	$\Phi$ 21	$\Phi$ 11
	A	11	12	12	14
	B	12	15	15	19
	C	40	35	35	40
 <p>45<math>^{\circ}</math> Slope Sealed</p>	D1	M12 $\times$ 1.5	M14 $\times$ 1.5	1/2-20UN F	M18 $\times$ 1.5
	D2	$\Phi$ 8	$\Phi$ 8	$\Phi$ 8	$\Phi$ 10.1
	D3	$\Phi$ 10.8	$\Phi$ 12.5	$\Phi$ 11.5	$\Phi$ 16.1
	D4	$\Phi$ 12.5	$\Phi$ 14.5	$\Phi$ 13.1	$\Phi$ 20
	A	6	6	6	6.5
	B	9	9.5	9.5	10

## Wiring diagram

	Output	Function	Color	5PIN
	2mV/V; 3.33mV/V	Signal +	Blue	1
		Excitation +	Red	2
		Signal -	White	3
		Excitation -	Yellow	4
Calibration		Black	5	
	Output	Function	Color	6PIN
	2mV/V; 3.33mV/V	Signal +	Blue	A
		Signal -	Green	B
		Excitation +	Red	C
		Excitation -	Yellow	D
		Calibration	Brown	E
Calibration		Black	F	

## How to order

PCMPT04- 500bar-2mV/V -6" -18" - K- 6 Pin-1.0%FS-1/2-20UNF





**Example: PCMPT04-500bar-2mV/V-6” -18” -K-6Pin-1.0%FS-1/2-20UNF**

the product model is PCMPT04, 500 bar is pressure range, 2mV/V is output, 6” is rigid length, 18” is flexible length, K is temperature measurement type, 6 pin is electrical connection mode, 1.0%FS is accuracy, 1/2-20UNF is screw thread.

**Ordering tips:**

Ensure compatibility between measured media and contacting part of product when placing an order.

Wotian reserves the right to make any change in this publication without notice. The information provided is believed to be accurate and reliable as of this product sheet.

**Контакт:**

Nanjing Wotian Technology Co., Ltd.

Веб-сайт: [ru.wtsensor.com](http://ru.wtsensor.com)

Адрес: 5 Wenyong Road, Binjiang Development Zone, Nanjing, 211161, China

Электронная почта: [wtsensor@wtsensor.com](mailto:wtsensor@wtsensor.com)

Телефон: +86-18640205486

Менеджер по продажам: Эмма