

## PCT202B Integrated Temperature Transmitter

### Features:

- High strength, high pressure resistance
- Integrated structure
- Long-term stability
- Fast response
- Good reliability

### Application:

- Equipment supporting
- Automatic temperature measurement and control systems for pumps and compressors, natural gas pipeline networks, etc.
- Temperature measurement of water or oil in the fields of petroleum, chemical industry, electric power, textile, environmental protection, etc.



## Product overview

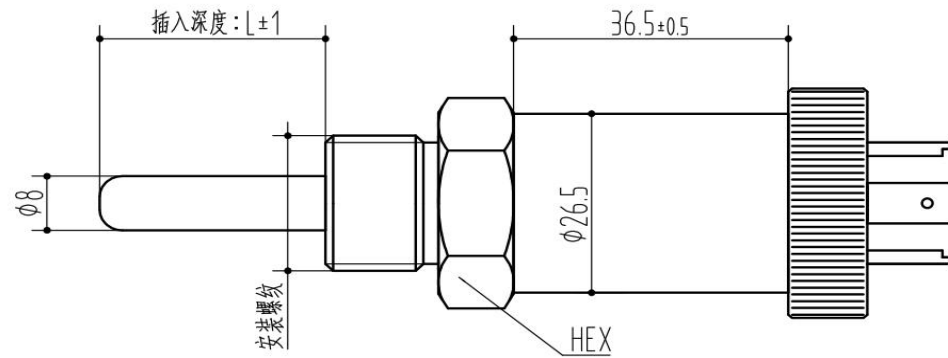
The PCT202B integrated temperature transmitter uses the resistance of platinum resistance to change with temperature and shows a certain functional relationship to measure the temperature of the measured medium. The product consists of a temperature sensor and a conversion circuit. It has the advantages of stable performance, high sensitivity, and strong reliability.

The PCT202B integrated temperature transmitter adopts a fully welded movable thread structure and is easy to install. It is widely used in automatic temperature measurement and control systems such as petroleum machinery, chemical machinery, pumps and compressors, electric power, boilers, and natural gas.

Performance parameters	
Temperature range	-50℃ to 150℃ (Max)
Supply & Output	4-20mA(16~36VDC)
Accuracy	±0.5%F.S. (Typical)
Sensing element	PT100 Level A
Insulation resistance	100MΩ/250VDC
Response time	≤30S
Long-term stability	≤0.2%FS/year
Insertion diameter	Φ8mm
Storage temperature	-40℃~85℃
Electrical connections	DIN43650, DIN43650 connector with wire
Protection	IP65
Material	304
Installation torque	25Nm

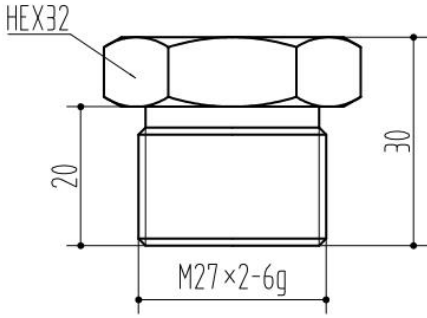
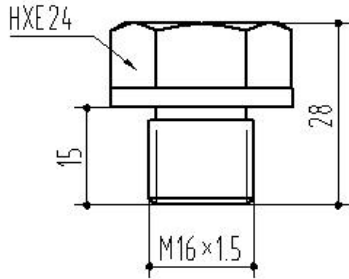
## Structure

Dimension  
in: mm



## Pressure port

Thread Code	C1: M20×1.5-6g	C2: G1/2
Dimension in: mm		
Recommended torque	15~25Nm	15~25Nm
Thread Code	C4: M14×1.5	C22: M16×1.5

<p>Dimension in: mm</p>		
<p>Recommended torque</p>	<p>15~25Nm</p>	<p>15~25Nm</p>

Note: Torque depends on various factors, such as gasket material, matching materials, thread lubrication and pressure size.

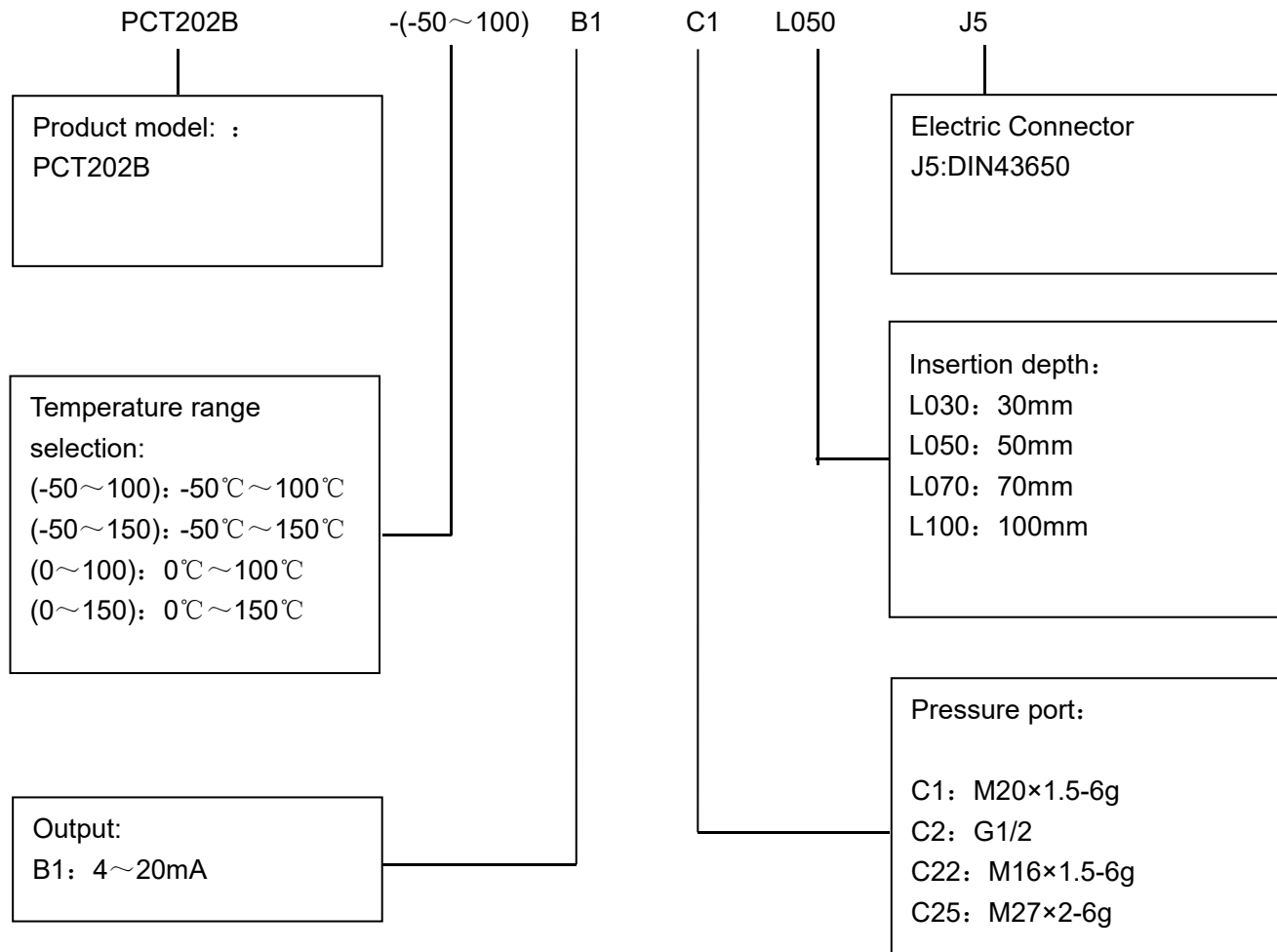
### Temperature range selection

Temperature range code	Temperature range	Remark
(-50~100)	-50℃~100℃	
(-50~150)	-50℃~150℃	
(0~100)	0℃~100℃	
(0~150)	0℃~150℃	

### Accessory

Name	Appearance	Description	Part number
DIN43650 connector		OMAL	100040301013
DIN43650 connector with wire		OMAL 1.5m	100040301018
LCD display		LCD12	100040100008

**How to order**



Example: PCT202B-(-50~150)B1C1L050J5

Refer to product model PCT202B, with temperature range  $-50^{\circ}\text{C} \sim 150^{\circ}\text{C}$ , power supply  $16 \sim 36\text{VDC}$ , output signal  $4 \sim 20\text{mA}$ , pressure port  $\text{M}20 \times 1.5\text{-}6\text{g}$ , insertion depth 50mm, and electrical connector DIN43650.

Wotian reserves the right to make any change in this publication without notice. The information provided is believed to be accurate and reliable as of this product sheet.

**Контакт:**

Nanjing Wotian Technology Co., Ltd.

Веб-сайт: [ru.wtsensor.com](http://ru.wtsensor.com)

Адрес: 5 Wenyang Road, Binjiang Development Zone, Nanjing, 211161, China

Электронная почта: [wtsensor@wtsensor.com](mailto:wtsensor@wtsensor.com)

Телефон: +86-18640205486

Менеджер по продажам: Эмма